

(11) EP 0 436 644 B1

(12) EUROPEAN PATENT SPECIFICATION

- (45) Date of publication and mention of the grant of the patent:
17.04.1996 Bulletin 1996/16
- (51) Int Cl.⁶: C12Q 1/68
- (86) International application number:
PCT/US89/04275
- (21) Application number: 89911480.5
- (87) International publication number:
WO 90/03446 (05.04.1990 Gazette 1990/08)
- (22) Date of filing: 29.09.1989

(54) NUCLEIC ACID PROBES CONTAINING AN IMPROVED MOLECULAR SWITCH; AND ASSAYS AND KITS INCORPORATING SAME

NUCLEINSÄURESONDEN, WELCHE VERBESSERTE MOLEKULARSCHALTER ENTHALTEN, UND ANALYSEMETHODEN UND KITS, BEI WELCHEN DIE SONDEN VERWENDET WERDEN

SONDES D'ACIDE NUCLEIQUE CONTENANT UNE MOLECULE COMMUTATRICE AMELIOREE, ANALYSES ET KITS LES CONTENANT

<p>(84) Designated Contracting States: AT BE CH DE FR GB IT LI LU NL SE</p> <p>(30) Priority: 30.09.1988 US 251696</p> <p>(43) Date of publication of application: 17.07.1991 Bulletin 1991/29</p> <p>(73) Proprietors: • THE PUBLIC HEALTH RESEARCH INSTITUTE OF THE CITY OF NEW YORK, INC. New York NY 10016 (US) • THE SALK INSTITUTE FOR BIOLOGICAL STUDIES San Diego, CA 92138 (US)</p> <p>(72) Inventors: • LIZARDI, Paul, M. Privada Cerrito 99 Cuernavaca Mexico (MX) • KRAMER, Fred, Russell New York, NY 10463 (US)</p>	<ul style="list-style-type: none">• TYAGI, Sanjay New York, NY 10463 (US)• GUERRA, Cesar, Eduardo New York, NY 11201 (US)• BUYOLI, Hilda, M., Lomeli Playa Ola Verde 260 Mexico, D.F. (MX)• Chu, Barbara C. Del Mar, CA 92014 (US)• Joyce, Gerald F. Encinitas, CA 92024 (US)• Orgel, Leslie E. La Jolla, CA 92037 (US) <p>(74) Representative: VOSSIUS & PARTNER Postfach 86 07 67 D-81634 München (DE)</p> <p>(56) References cited: WO-A-87/06270</p> <ul style="list-style-type: none">• NATURE, Vol. 339, 1989 F.R. Kramer and P.M. Lizardi: "Replicatable RNA reporters", pp. 401, 402• J.Biochem., Vol. 93, No. 3, 1983 Tohru Nishihara et al: "Localization of the Q Replicase", pp. 669-674
---	--

Note: Within nine months from the publication of the mention of the grant of the European patent, any person may give notice to the European Patent Office of opposition to the European patent granted. Notice of opposition shall be filed in a written reasoned statement. It shall not be deemed to have been filed until the opposition fee has been paid. (Art. 99(1) European Patent Convention).

EP 0 436 644 B1

Description

This invention relates to the field of bioassays that involve nucleic acid hybridization probes. These bioassays are useful for the detection of specific genes, gene segments or RNA molecules. The assays are useful clinically, for, e.g., tissue, blood and urine samples, as well as in food technology, agriculture, and biological research.

Background of the Invention

The use of nucleic acid hybridization probes for bioassays is well known. One of the early papers in the field directed to assays for DNA is Gillespie, D. and Spiegelman, S., A Quantitative Assay for DNA-RNA Hybrids with DNA Immobilized on a Membrane, J. Mol. Biol. 12:829-842 (1965). In general terms such an assay involves separating the nucleic acid polymer chains in a sample, as by melting, fixing the separated DNA strands to a nitrocellulose membrane, and then introducing a probe sequence which is complementary to a unique sequence of the material being sought, the "target" material, and incubating to hybridize probe segments to complementary target segments, if targets are present. Non-hybridized probes are removed by known washing techniques, and then the amount of probe remaining is determined by one of a variety of techniques outlined below which provides a measurement of the amount of targets in the sample.

A more recently developed form of bioassay that uses nucleic acid hybridization probes involves a second probe, often called a "capture probe." Ranki, M., Palva, A., Virtanen M., Laaksonen, M., and Soderlund, H., Sandwich Hybridization as a Convenient Method for the Detection of Nucleic Acids in Crude Samples, Gene 21:77-85 (1983); Syvanen, A.-C., Laaksonen, M., and Soderlund, H., Fast Quantification of Nucleic Acid Hybrids by Affinity-based Hybrid Collection, Nucleic Acids Res. 14:5037-5048 (1986). A capture probe contains a nucleic acid sequence which is complementary to the target, preferably in a region near the sequence to which the radioactively labeled probe is complementary. The capture probe is provided with a means to bind it to a solid surface. Thus, hybridization can be carried out in solution, where it occurs rapidly, and the hybrids can then be bound to a solid surface. One example of such a means is biotin. Langer, P.R., Waldrop, A.A. and Ward, D.C., Enzymatic Synthesis of Biotin-Labeled Polynucleotides: Novel Nucleic Acid Affinity Probes, Proc. Natl. Acad. Sci. USA 78:6633-6637 (1981). Through biotin the capture probe can be bound to streptavidin covalently linked to solid beads.

The present invention is directed to the methods and means, including assays and pharmaceutical kits containing requisite reagents and means, for detecting in an in vitro or ex vitro setting the presence of nucleic acid species.

It is a goal in this art to detect various nucleic acid sequences in a biological sample, in which the said sequences, as so-called target sequences, are present in small amounts relative to its existence amongst a wide variety of other nucleic acid species including RNA, DNA or both. Thus, it is desirable to detect the nucleic acid encoding polypeptides that may be associated with pathological diseases or conditions, such as, for example, RNA of the human immunodeficiency virus. In addition to the detection of nucleic acids encoding the proteins of such viral particles, it is desirable to detect other nucleic acids characteristic of a pathological disease or condition such as a defective gene, as in the case of hemophilia. It is also desirable to detect other nucleic acids whose presence in the sample indicates that the organism is able to resist the action of a drug, such as an antibiotic.

Several approaches have been used for detecting the probe. One is to link a readily detectable reporter group to the probe. Examples of such reporter groups are fluorescent organic molecules and ³²P-labeled phosphate groups. These detection techniques have a practical limit of sensitivity of about a million targets per sample.

A second approach is to link a signal generating system to the probe. Examples are enzymes such as peroxidase. Probes are then incubated with a color-forming substrate. Leary, J.J., Brigati, D.J. and Ward, D.C., Rapid and Sensitive Colorimetric Method for Visualizing Biotin-Labeled DNA Probes Hybridized to DNA or RNA Immobilized on Nitrocellulose: Bio-Blots, Proc. Natl. Acad. Sci. USA 80:4045-4049 (1983). Such amplification reduces the minimum number of target molecules which can be detected. As a practical matter, however, nonspecific binding of probes has limited the improvement in sensitivity as compared to radioactive tagging to roughly an order of magnitude, i.e., to a minimum of roughly 100,000 target molecules.

Yet another approach is to make many copies of the target itself by in vivo methods. Hartley, J.L., Berninger, M., Jesse, J.A., Bloom, F.R. and Temple, G.S., Bioassay for Specific DNA Sequences Using a Non-Radioactive Probe, Gene 49:295-302 (1986). This can also be done in vitro using a technique called "polymerase chain reaction" (PCR). This technique was reported in Saiki, R.K., Scharf, S., Faloona, F., Mullis, K.B., Horn, G.T., Erlich, H.A., and Arnheim, N., Enzymatic Amplification of Beta-globin Genomic Sequences and Restriction Site Analysis for Diagnosis of Sickle Cell Anemia, Science 230:1350-1354 (1985); Saiki, R.K., Gelfand, D.H. Stoffel, S., Scharf, S.J., Higuchi, R., Horn, G.T., Mullis, K.B., and Erlich, H. A., Primer-directed Enzymatic Amplification of DNA With a Thermostable DNA Polymerase, Science 239:487-491 (1988); Erlich, H.A., Gelfand, D.H., and Saiki, R.K., Specific DNA Amplification, Nature 331:461-462 (1988), and Mullis et al., European Patent Application Publication Nos. 200362 and 201184 (see also U.S. Patents 4,683,195 and 4,683,202). In PCR, the

probe is complementary only to the beginning of a target sequence but, through an enzymatic process, serves as a primer for replication of an entire target. Each repetition of the process results in another doubling of the number of target sequences until a large number, say, a million copies, of the target are generated. At that point detectable probes, e.g., radioactively labeled probes, can be used to detect the amplified number of targets. The sensitivity of this method of target amplification is generally limited by the number of "false positive signals" generated, that is, generated segments that are not true copies of the target. Nonetheless, this method is quite sensitive. The procedure requires at least two nucleic acid probes and has three steps for a single cycle. This procedure is cumbersome and not always reliable.

Yet another method for amplification is to link to the probe an RNA that is known to be copied in an exponential fashion by an RNA-directed RNA polymerase. An example of such a polymerase is bacteriophage Q-beta replicase. Haruna, I., and Spiegelman, S., *Autocatalytic Synthesis of a Viral RNA In Vitro*, *Science* **150**:884-886 (1965). Another example is brome mosaic virus replicase. March et al., *POSITIVE STRAND RNA VIRUSES* Alan R. Liss, New York (1987). In this technique, the RNA serves as a template for the exponential synthesis of RNA copies by a homologous RNA-directed RNA polymerase. The amount of RNA synthesized is much greater than the amount present initially. This amplification technique is disclosed in Chu, B.C.F., Kramer, F.R., and Orgel, L.E., *Synthesis of an Amplifiable Reporter RNA for Bioassays*, *Nucleic Acids Res.* **14**:5591-5603 (1986); Lizardi, P.M., Guerra, C.E., Lomeli, H., Tusis-Luna, I. and Kramer, F.R., *Exponential Amplification of Recombinant-RNA Hybridization Probes*, *Bio/Technology* **6**:1197-1203 (October 1988) [hereinafter referred to as "Lizardi et al."]; published European Patent Application 266,399 (EP Application No. 87903131.8). After non-hybridized probes are removed by washing, the RNA polymerase is used to make copies of the replicatable RNA. According to the disclosure of published European Patent Application No. 266,399, replication of the RNA may take place while the RNA is linked to the probe. Alternatively, the replicatable RNA may be separated from the remainder of the probe prior to replication. That application also discloses a variety of chemical links by which a probe sequence can be joined to a replicatable RNA. In addition, it discloses that the probe sequence may be part of a replicatable RNA, as described in Miele, E.A., Mills, D.R., and Kramer, F.R., *Autocatalytic Replication of a Recombinant RNA*, *J. Mol. Biol.* **171**:281-295 (1983). That European application also discloses that such recombinant RNAs must be able to hybridize specifically with the target sequence as well as to retain their ability to serve as a template for exponential replication by an appropriate RNA-directed RNA polymerase, as is demonstrated in the results obtained by Lizardi et al., *supra*.

Replication of RNA, as opposed to target amplifica-

tion using PCR, can be done in a single step. In that step one can synthesize as many as a billion copies of the replicatable RNA that was joined to the probe in as little as twenty minutes, which theoretically could lead to detection of a single target molecule. However, in practice the sensitivity of this type of probe replication is limited by the persistence of nonspecifically bound probes. Nonspecifically bound probes will lead to replication just as will probes hybridized to targets.

A major problem in the implementation of bioassays that employ hybridization technology coupled to signal amplification systems is the background signal produced by nonspecifically bound probe molecules. These background signals introduce an artificial limit on the sensitivity of bioassays. In conventional bioassays this problem is sometimes alleviated by the utilization of elaborate washing schemes that are designed to remove nonspecifically bound probes. These washing schemes inevitably add to the complexity and cost of the assay.

As a means to reduce the background noise level of assays employing probes linked to replicatable RNA by covalently joined linking moieties, European Patent Application No. 266,399 discloses what it refers to as "smart probes," that is, probes whose linked RNA is said not to serve as a template for replication unless and until the probe has hybridized with a target sequence. In that application two embodiments are disclosed for smart probes.

In a first embodiment in that application, the smart probe comprises a probe portion consisting of about 75-150 deoxynucleotides, made by *in vitro* or *in vivo* methods known in the art. The smart probe also comprises a recombinant, replicatable RNA containing an inserted heterologous sequence of about 10-30 nucleotides, made by, e.g., the method of Miele, E.A., Mills, D.R., and Kramer, F.R., *Autocatalytic Replication of a Recombinant RNA*, *J. Mol. Biol.* **171**:281-295 (1983). Joining those two portions at their 5' ends is a linking moiety of the formula $-O(PO_2)NH(CH_2)_aSS(CH_2)_bNH(PO_2)O-$, where a and b are each 2 to 20. Furthermore, the sequence at the 3' end of the DNA portion of the smart probe is capable of being (and very likely to be) hybridized to the heterologous sequence of the RNA portion of the smart probe. The enzyme ribonuclease H is said to be capable of cleaving the RNA portion of smart probes which have not hybridized to targets, but not be capable of cleaving the RNA portion of smart probes which have hybridized to targets, because when the probe sequence in the DNA portion of a smart probe is bound to its target, it is said to be incapable of also being hybridized to the heterologous sequence in the RNA portion of the smart probe, thereby providing a way to eliminate nonspecifically bound probes prior to amplification. Amplification via RNA replication is said to optionally include the preliminary step of cleaving the disulfide bond in the linking moiety.

In that embodiment, cleavage of probes not hybridized to targets is said to be possible for ribonuclease H,

because the 3' end of the DNA portion of the smart probe (which contains the probe sequence) is hybridized to the recombinant replicatable RNA portion, presumably thereby providing a site wherein ribonuclease H can cleave the RNA and render it inoperative as a template for amplification by an RNA-directed RNA polymerase.

In the other embodiment of a smart probe disclosed in published European Patent Application 266,399, there is a probe portion, a linking moiety, and a replicatable RNA portion, linked as described above. Here, however, the probe portion comprises not only a probe segment of 50-150 nucleotides, but also additional segments, called "clamp" segments, on either side of it, that is, a 5'-clamp segment and a 3'-clamp segment, each of about 30-60 nucleotides. Each clamp segment is said to hybridize with a segment of the replicatable RNA portion, rendering the RNA inactive as a template for replication, unless and until the probe is hybridized with a target. That hybridization causes the clamps to release, thereby rendering the RNA replicatable, either directly or after optional cleavage of the disulfide bond.

The smart probes disclosed in published European Patent Application No. 266,399 comprise a somewhat complicated linking moiety containing a weakly covalent and rather easily dissociable disulfide linkage. Disulfide bonds readily dissociate under reducing conditions. The two versions of smart probes disclosed in that application rely on distant intramolecular interactions to render the probe smart. This is a disadvantage which makes such probes difficult to design, particularly since distant interactions are not well understood. The second version, reported above, has a further complication that it utilizes two distant clamps which must displace a set of relatively strong neighboring compliments. And, the design depends on both distant clamps hybridizing or none, which makes design very difficult.

An object of the present invention is a simple molecular allosteric switch that renders a nucleic acid hybridization probe smart, that is, capable, in an appropriate assay, of generating a signal only if the probe is hybridized to a target sequence.

It is a further object of this invention to couple the activity of a signal generating system to the state of such a switch.

It is yet another object of this invention to develop probes containing such an allosteric switch that are linked to any of a number of different signal generating systems whose activity is dependent on the state of the switch.

It is another object of this invention to develop assays of improved sensitivity that utilize the above constructs, as well as kits for performing such assays.

Summary of the Invention

The present invention is predicated on a simple molecular allosteric switch that works on the principle that when a nucleic acid double helix is formed between a

relatively short probe sequence and a target sequence, the ends of the double helix are necessarily located at a distance from each other due to the rigidity of the double helix. That rigidity is discussed in detail in Shore, D., Langowski, J. and Baldwin, R.L., DNA Flexibility Studied by Covalent Closure of Short Fragments into Circles, Proc. Natl. Sci. USA 78:4833-4837 (1981); and Ulanovsky, L., Bodner, M., Trifonov, E.N., and Choder, M., Curved DNA: Design, Synthesis, and Circularization, Proc. Natl. Acad. Sci. USA 83:862-866 (1986).

This invention involves the use of a nucleic acid hybridization probe comprising at least the following essentials: a probe sequence of approximately 15-115 nucleotides in length surrounded on both sides by complementary nucleic acid sequences which are considerably shorter than the probe sequence, preferably not greatly in excess of one-half the length of the probe sequence. This combination of three sequences forms a simple molecular allosteric switch. When not hybridized to a target sequence, the switch sequences are hybridized to each other, which we refer to as a closed switch. When the probe sequence hybridizes to a predetermined complementary target sequence for which the probe is designed, the strong interaction between the probe and target sequences to form a rigid double helix necessarily results in the dissociation of the switch sequences, which we refer to as an open switch. In the open configuration, the switch sequences are unable to interact with each other.

The invention comprises probe molecules containing the above switch wherein one of the switch sequences, or both switch sequences in combination, comprise a biologically functional nucleic acid moiety useful for selectively generating a detectable signal indicative of the hybridization of the probe with its predetermined target sequence.

The invention further comprises bioassay methods which take advantage of the allosteric change in the switch sequences in the above probe molecules to generate a detectable signal indicative of the hybridization of the probe with its predetermined target sequence. The assay may be qualitative (a qualitative demonstration) or quantitative (a quantitative determination). It may include amplification, which may be linear or exponential in nature.

The invention also includes kits of reagents and macromolecules for carrying out the above bioassays.

Brief Description of the Drawings

Figure 1 is a schematic representation of a closed switch according to the invention.

Figure 2 is a schematic representation of the switch of Figure 1, but in an open state.

Figure 3 is a schematic representation of the probe of Example I, containing a switch in an open state.

Figure 4 is a schematic representation of the probe of Example II, containing a switch in a closed state.

Figure 5 is a schematic representation of the probe of Example II, containing a switch in an open state.

Figure 6 is a schematic representation of the probe of Example III, containing a switch in a closed state.

Figure 7 is a schematic representation of the probe of Example III, containing a switch in an open state.

Figure 8 is a schematic representation of the probe of Example IV, containing a switch in a closed state.

Figure 9 is a schematic representation of the probe of Example IV, containing a switch in an open state and additionally showing a ribozyme.

Figure 10 is a detailed schematic showing the nucleotide sequences of the ribozyme shown in Figure 9.

Figure 11 is a schematic representation of the probe of Example IV, containing a switch in an open state and additionally showing an additional strand.

Figure 12 is a schematic representation of the probe of Example V, containing a switch in a closed state.

Figure 13 is a schematic representation of the probe of Example V, containing a switch in an open state.

Detailed Description of the Invention

Shown in Figure 1 is a probe, or probe portion, comprising the three essential ingredients of a probe according to this invention, namely, a probe sequence and complementary switch sequences on both sides of the probe. As depicted in Figure 1, the switch is closed. Figure 2 is the same probe or probe portion in its open state.

Referring to Figure 1, probe sequence 1 is a nucleic acid probe sequence extending from its 5' side 2 to its 3' side 3. Immediately adjacent to the 5' side of the probe sequence is a nucleic acid first switch sequence 4. Immediately adjacent to the 3' side of the probe sequence is a nucleic acid second switch sequence 5. Switch sequences 4 and 5 are complementary and hybridize to each other via hydrogen bonds 7, forming the stem 6 of a "hairpin" secondary structure. Referring to Figure 2, probe sequence 1 is hybridized via hydrogen bonds 9 to its predetermined target sequence 8. Switch sequences 4 and 5 are apart and not interacting with one another.

The probe may be RNA or DNA. The probe sequence 1 must be of sufficient length to ensure a very specific interaction with its predetermined target sequence 8. It should be at least about 15 nucleotides in length, although we prefer that it be at least about 20 nucleotides in length.

The probe sequence 1 should be short enough to ensure that the sides 2, 3 of probe sequence 1, when hybridized to the target sequence 8 (Fig. 2) are physically prevented by the rigidity of the hybridized region between sides 2 and 3 from approaching each other within a distance that would permit switch sequences 4, 5 from interacting with each other. In other words, when the probe sequence is hybridized, the switch sequences necessarily are not hybridized to each other. An additional force helps to drive the transition to an open state, namely, torsional forces tending to unwind stem 6 when

the hybridized region shown in Figure 2 forms a double helix. In practice, the probe sequence is no longer than about 100 nucleotides. We prefer that the probe sequence be 20-60 nucleotides in length, and most preferably, about 30 nucleotides in length.

The switch sequences are related to the length of the probe sequence. Most preferably, we prefer that the length of the switch sequences be no more than half the length of the probe sequence. The switch sequences should be at least about 10 nucleotides in length to permit formation of a stable stem 6. Turner, D.H., Sugimoto, N., Jaeger, J.A., Longfellow, C.E., Freier, S.M. and Kierzek, R., Improved Parameters for Prediction of RNA Structure, Cold Spring Harbor Symp. Quant. Biol. 52:123-133 (1987). The length of switch sequences for certain embodiments described below must also be sufficiently long to contain necessary functional sequences. We prefer switch sequences of about 10-30 nucleotides.

In designing a probe according to the invention, attention should be paid to the relative strengths of the open switch hybrid (Fig. 2) as compared to the closed switch hybrid (Fig. 1) under the assay conditions to be used: the former should be greater. There are assay conditions, however, in which the strengths of hybrids is only length-dependent. Wood, W.I., Gitschier, J., Lasky, L.A., and Lawn, R.M., Base Composition-independent Hybridization in Tetramethylammonium Chloride: A Method for Oligonucleotide Screening of Highly Complex Gene Libraries, Proc. Natl. Acad. Sci. USA 82:1585-1588 (1985).

Switch design can be readily tested by digesting probes or probe portions (Figs. 1, 2) with appropriate nucleases before and after hybridization to model nucleic acids containing target sequences and then analyzing the digestion products by polyacrylamide gel electrophoresis. This will be apparent to those skilled in the art and will not be described further.

To help drive the transition from closed to open, one may take advantage of the principle of strand displacement to provide an additional force. Green, C., and Tibbetts, C., Reassociation Rate Limited Displacement of DNA Strands by Branch Migration, Nucleic Acids Res. 9:1905-1918 (1981). This may be accomplished by overlapping a switch sequence with a probe sequence, which means that at least one nucleotide of the switch sequence is also a nucleotide of the probe sequence.

While the switch sequences must be adjacent to the probe sequence, they need not be immediately adjacent to it. A few nucleotides may separate the switch sequences from the probe sequences, but not so many that the functioning of the switch is materially affected, as those skilled in the art will readily appreciate.

Probe molecules of this invention, containing the switch described above, can be of diverse design and still take advantage of the allosteric change that accompanies probe sequence hybridization (Fig. 2) in signal generation.

For example, a switch sequence may, by virtue of

the conformation it assumes in the open state, enable an interaction with another macromolecule, or even a different portion of the same molecule, which is required for the generation of a detectable signal. In Example I below, the second switch sequence, in the open state, is able to hybridize with a complementary nucleic acid strand. In Example III, the first switch sequence, in the open state, forms a hairpin structure that enables it to bind specifically to a viral protein. In Example IV, the second switch sequence, in the open state, is able to interact with an oligoribonucleotide or with an oligodeoxyribonucleotide. In Example V, the first switch sequence, in the open state, assumes a structured conformation that enables it to interact with a relatively distant region of the same probe molecule.

It is also possible to do the reverse. In Example II, the switch sequences can bind to a specific enzyme only when they are in the closed state.

Signal generation using probe molecules and methods of this invention may vary widely. The state of the simple allosteric switch governs signal generation, which means that there is no signal generated unless the probe sequence hybridizes with its target sequence. We prefer signal generating systems that involve amplification, particularly exponential amplification, to increase sensitivity.

The Examples which follow illustrate a few of the myriad variations involving amplification. They all utilize the exponential replication of a replicatable RNA by an RNA-directed RNA polymerase to generate a readily detectable signal. The Examples utilize MDV-1 RNA, which is described in Kacian, D.L., Mills, D.R., Kramer, F.R., and Spiegelman, S., A Replicating RNA Molecule Suitable for a Detailed Analysis of Extracellular Evolution and Replication, Proc. Nat. Acad. Sci. USA 69:3038-3042 (1972). The Examples also use Q-beta replicase, which is the specific polymerase for replicating MDV-1 RNA. Q-beta replicase is described in Haruna, I. and Spiegelman, S., Specific Template Requirements of RNA Replicases, Proc. Nat. Acad. Sci. USA 54:579-587 (1965). Any replicatable RNA and its homologous replicase could, of course, be used. Other useful signal generating systems could employ enzymes, enzyme cofactors, ribozymes, DNA and RNA sequences required for biological activity (e.g., promoters, primers, or linkers required for the ligation of plasmids used to transform bacteria). Detectable signals are diverse and include, for example, radiation, light absorption, fluorescence, mass increase, and the presence of biologically active compounds.

Assay techniques which can be used to detect hybridized probes of this invention are also diverse. In the following Examples, synthesis of a replicatable RNA is used to signal that hybridization of the probe sequence has occurred. The signal generating systems illustrated in the Examples fall into three broad classes: in Examples II-III, the switch is incorporated within a replicatable RNA; in Examples IV-V, a replicatable RNA sequence is joined with a probe portion but can only be replicated af-

ter cleavage, which is dependent upon the presence of an open switch; and in Example I, the transcription of a replicatable RNA from a template added after hybridization, can only occur when an open switch sequence forms a part of a functional promoter of transcription.

Each of the specific embodiments set forth in the accompanying Examples satisfies the objective of generating a signal only if the probe is hybridized to a target sequence. Either the biological activity of the signal generating systems illustrated depends strictly on the state of the switch, or the state of the switch provides a means for rendering nonspecifically bound probes unable to generate signals, or the state of the switch provides a means for separating hybridized probes from nonspecifically bound probes. Thus, each of the specific embodiments markedly reduces the background caused by nonspecifically bound probes, thereby significantly improving the sensitivity of the assays, including assays which include amplification.

Example I

In this example, the probe is a single DNA strand designed to contain three sequences: a probe sequence approximately 34 nucleotides in length; a first switch sequence of about 17 nucleotides immediately adjacent to the 5' side of the probe sequence; and a second switch sequence of about 17 nucleotides immediately adjacent to the 3' side of the probe sequence. The switch sequences are designed to be complementary to one another. When hybridized to each other, the hybridized switch sequences comprise a promoter for the DNA-directed RNA polymerase, bacteriophage T7 RNA polymerase. In this application, we refer to the first switch sequence as a "promoter sequence" and the second switch sequence as a "promoter-complement" sequence. In this example, the switch sequences comprise the ends of the probe molecule. The design of promoter and promoter-complement sequences is according to Osterman, H.L. and Coleman, J.E., "T7 Ribonucleic Acid Polymerase-Promoter Interactions," Biochemistry 20:4885-4892 (1981). The particular promoter-complement sequence we have chosen to work with is TAATAC-GACTCACTATA.

The probe molecule, including a probe sequence complementary to a predetermined target sequence, can be made by chemical synthesis of oligodeoxyribonucleotides using methods well known in the art, e.g., Gait, M.J., OLIGONUCLEOTIDE SYNTHESIS, IRL Press, Oxford, United Kingdom (1984).

The probe of this example can be used to detect a DNA or RNA target sequence which is complementary to the probe sequence. The target sequence may be in a sample containing other, unrelated nucleic acids and other materials, for example, proteins. The probe may be used to detect a gene segment of an infectious agent (virus, bacterium, protozoan, etc.) in a clinical sample of, for example, human blood or urine.

The target sequence must be exposed to the probe. This is done by techniques well known to the art. Commonly, but not necessarily, nucleic acid is isolated from a sample before the probe is added.

The probe and the sample, which may contain nucleic acid target sequences, are next incubated under conditions, including time and temperature, appropriate to cause hybridization of probe sequences with target sequences. Appropriate conditions are well known in the art. For quantitative determination of the number of target sequences present, an amount of probe in excess, preferably in substantial excess, of the highest anticipated target amount should be used. If only a qualitative demonstration of the presence of target sequences is desired, a lesser amount of probe can be used.

Probes hybridized to targets are separated from unbound probes by methods well known to the art, for example, through the use of capture probes.

After separation, the treated sample will contain probes hybridized to targets (Fig. 2) and also nonspecifically bound probes. The two are not in the same form, however. In the hybridized probes the allosteric switches are open; that is, the switch sequences are not hybridized to each other. In the nonspecifically bound probes, however, the switch sequences remain hybridized to each other.

Detecting those probes with open switches will now be described. This example includes amplification prior to detection.

Referring to Figure 3, the sample is incubated with a single-stranded DNA molecule 10 comprising a promoter sequence 11 and a template sequence 12 for the transcription of a replicatable RNA. The promoter sequence 11 allows hybridization via hydrogen bonds 13, under conditions known to the art, to the promoter-complement of the second switch sequence 5 of probes having open switches. Specifically, this DNA molecule consists of the 17 deoxyribonucleotides of the promoter sequence (complementary to the promoter-complement set forth above) followed by the 244 deoxyribonucleotides complementary to MDV-poly (+) RNA described in Lizardi et al., *supra*. This DNA molecule can be prepared by isolating one of the complementary strands of a suitable restriction fragment of a plasmid containing that sequence by methods known in the art. Maniatis, T., Fritsch, E.F., and Sanbrook, J., *MOLECULAR CLONING: A LABORATORY MANUAL* Cold Spring Harbor Laboratory, Cold Spring Harbor, New York (1982). The suitable plasmid that we constructed contained (1) a unique restriction site (that is, one contained nowhere else in the plasmid) upstream from and close to the promoter, and (2) and Sma I restriction site at the end of the MDV-poly cDNA sequence distal to the promoter.

Subsequently, the sample is incubated with commercially available cloned bacteriophage T7 RNA polymerase in order to synthesize about 50-200, or more, MDV-poly RNA transcripts for each open switch, using conditions known to the art. Milligan, J.F., Duncan,

R.G., Witherell, G.W. and Uhlenbeck, O.C., Oligoribonucleotide Synthesis Using T7 RNA Polymerase and Synthetic DNA Templates, *Nucleic Acids Research* 15:8783-8798 (1987).

Then, Q-beta replicase, an RNA-directed RNA polymerase, is added and incubated with the MDV-poly RNA transcripts, which are templates for that polymerase. We prepared Q-beta replicase by the method of Eoyang, L., and August, J.T., Q-beta RNA polymerase from phage Q-beta-infected *E. coli*, pp. 829-839. In: *Proceedures in Nucleic Acid Research*, Volume 2. (Cantoni, G.L., and Davis, D.R., eds.). Harper and Row, New York (1971). Incubation is carried out under conditions suitable for exponential amplification of the transcripts. Kramer, F.R., Mills, D.R., Cole, P.E., Nishihara, T., and Spiegelman, S., Evolution *in vitro*: Sequence and Phenotype of a Mutant RNA Resistant to Ethidium Bromide. *J. Mol. Biol.* 89:719-736 (1974).

Detection of the exponentially amplified RNA can be done by any of a variety of physical and chemical means, as described earlier in this application. For a quantitative determination, the amount of RNA detected after a fixed time of incubation with the RNA-directed RNA polymerase is a measure of the number of target sequence present in the sample.

Example II

Referring to Figure 4, in this example, the probe is a replicatable recombinant RNA 14. Miele, E.A., Mills, D.R., and Kramer, F.R., Autocatalytic Replication of a Recombinant RNA, *J. Mol. Biol.* 171:281-295 (1983). It may be prepared according to the method of Lizardi et al., *supra*. For purposes of preparing a probe according to this example, the heterologous sequence 15 contained within the replicatable recombinant RNA is designed to contain three sequences: a probe sequence 16 approximately 46 nucleotides in length; a first switch sequence 17 of about 23 nucleotides immediately adjacent to the 5' side of the probe sequence; and a second switch sequence 18 of about 23 nucleotides immediately adjacent to the 3' side of the probe sequence. The switch sequences are designed to form a doublestranded recognition site for *Escherichia coli* ribonuclease III when hybridized to each other. This recognition site will not be present when the switch sequences are not hybridized to each other. The particular recognition site we use is shown in Figure 4 and is described by Rosenberg, M. and Kramer, R.A., Nucleotide Sequence Surrounding a Ribonuclease III Processing Site in Bacteriophage T7 RNA, *Proc. Natl. Acad. Sci. USA* 74:984-988 (1977). It can be made by transcription from a recombinant plasmid utilizing techniques described in Lizardi et al., *supra*.

Exposure of the target sequence, hybridization of the probe with the target sequence, and separation from unbound probes, are as described in Example I. As shown in Figure 5, probe sequence 16 of a hybridized probe 14 is hybridized to target sequence 8, thereby forc-

ing apart switch sequences 17, 18.

The sample is then incubated with *E. coli* ribonuclease III under appropriate conditions known to the art to cleave all the nonspecifically bound probes (and any unbound probes which may remain), rendering them unable to serve as templates for exponential replication by Q-beta replicase. Nishihara, T., Mills, D.R., and Kramer, F.R., Localization of the Q-beta Replicase Recognition Site in MDV-1 RNA, *J. Biochem.* **93**:669-674 (1983). The ribonuclease III is then removed from the sample by methods, e.g., phenol extraction, well known in the art.

We release the probe from the target sequence by a brief heating step, Lizardi et al. *supra*, although preliminary experiments have indicated that this step may be optional.

Exponential replication of the probe by Q-beta replicase and detection proceed as described in Example I.

Example III

In this example the probe 19 (Fig. 6) is a replicatable recombinant RNA as in Example II, except that the probe sequence 20 is about 38 nucleotides in length and that the complementary switch sequences 21, 22, of about 19 nucleotides, are designed such that when they are hybridized to one another they do not form a binding site for the coat protein of bacteriophage R17, but when not so hybridized, as shown in Figure 7, the first switch sequence 21 organizes so as to comprise a secondary structure which is a strong binding site for that coat protein. Carey, J., Cameron, V., de Haseth, P.L. and Uhlenbeck, O.C., Sequence-Specific Interaction of R17 Coat Protein With Its Ribonucleic Acid Binding Site, *Biochemistry* **22**:2601-2610 (1983).

Exposure of the target sequence, hybridization of the probe with the target sequence, and separation from unbound probes are as described in Example I.

The bacteriophage R17 coat protein is covalently linked to a solid support, such as, for example, Sephadex or Sepharoic beads, magnetic beads, or microtiter plates, by methods well known in the art. An example of such a method of linkage is described in Alagon, A.J., and King, T.P., Activation of Polysaccharides with 2-Iminoethiolane and Its Uses, *Biochemistry* **19**:4331-4345 (1980). The washed sample, containing probes bound to target sequences and nonspecifically bound probes, is added to the insolubilized R17 coat protein. Nonspecifically bound probes are removed by washing.

We release the probe from both the R17 coat protein and the target sequence by a brief heating step, and remove the solid support.

Exponential replication of the probe by Q-beta replicase and detection proceed as described in Example I.

Example IV

In this example, the probe 23 (Fig. 8) is a single strand of RNA designed to contain four functionally dis-

ting sequences: a probe sequence 24 approximately 34 nucleotides in length; a first switch sequence 25 of about 17 nucleotides immediately adjacent to the 5' side of the probe sequence; a second switch sequence 26 complementary to, and of the same length as, the first and located immediately adjacent to the 3' side of the probe sequence; and a replicatable RNA sequence 27 extending from the 3' side of the second switch sequence, wherein at least five nucleotides of said replicatable RNA sequence are also nucleotides of the 3' side of the second switch sequence; that is, the replicatable RNA sequence can be considered to overlap the second switch sequence.

Exposure of the target sequence, hybridization of probes to target sequences and separation of unbound probes are performed under appropriate conditions known to the art, as in Example I. As shown in Figure 9, probe sequence 24 is hybridized to target sequence 8, and switch sequences 25, 26 are forced apart, thereby freeing replicatable RNA sequence 27. The replicatable RNA sequences of bound probes are, at this point, not subject to exponential replication by RNA polymerase even though the switches are open. The replicatable RNA sequences 27 must be cleaved at their 5' sides to render them subject to exponential replication. Nishihara, T., Mills, D.R., and Kramer, F.R., Localization of the Q-beta Replicase Recognition Site in MDV-1 RNA, *J. Biochem.* **93**:669-674 (1983).

There are two means, at least, to cleave the replicatable RNA sequences. One is ribozyme cleavage. Another is cleavage by ribonuclease H. We prefer the former, which will be described first.

A. Ribozyme Cleavage

Ribozymes are structured RNA molecules that are capable of catalyzing a chemical reaction, such as particularly the cleavage of a phosphodiester bond. It is well known in the art that a ribozyme can be constructed by the interaction of two separate oligribonucleotides, one of which is cleaved at a particular phosphodiester bond when incubated under known, appropriate conditions. Uhlenbeck, O.C., A Small Catalytic Oligoribonucleotide, *Nature* **328**:590-600 (1987); Haseloff, J. and Gerlach, W.L., Simple RNA Enzymes with New and Highly Specific Endoribonuclease Activities, *Nature* **334**:585-591 (1988).

The requirements for the two segments of an active ribozyme are outlined in the two references cited above. For purposes of this invention, the second switch sequence of our probe is designed to satisfy the requirements of the sequence that is cleaved. The replicatable RNA sequence with which we have chosen to proceed is MDV-poly (+) RNA according to Lizardi et al. *supra*. Our preferred design is shown in Figure 8. As shown there, the second switch sequence is 17 nucleotides in length, and 11 nucleotides of the 5' side of the MDV-poly (+) RNA are also nucleotides of the 3' side of the second

switch sequence. The second switch sequence includes the required GUC sequence needed for cleavage of the phosphodiester bond on the 3' side of the GUC sequence, that is, on the 5' side of the replicatable RNA sequence. In designing the second switch sequence, care is taken to ensure that the subsequent hybridization to form the ribozyme will be more likely to occur than the interaction that can occur between the sides of the replicatable RNA sequence.

The probe can be made by transcription from a suitable recombinant plasmid. Such a plasmid is designed utilizing methods known to the art with the criteria of Lizardi et al., *supra*. It is constructed by methods well known to the art. Maniatis, T., Fritsch, E.F., and Sambrook, J., *MOLECULAR CLONING: A LABORATORY MANUAL*, Cold Spring Harbor Laboratory, Cold Spring Harbor, New York (1982).

The non-cleaved strand 28, which is capable of forming the required ribozyme, is also shown in Figure 9. It is made by methods well known to the art. Milligan, J.F., Duncan, R.G., Witherell, G.W. and Uhlenbeck, O.C., *Oligoribonucleotide Synthesis Using T7 RNA Polymerase and Synthetic DNA Templates*, *Nucleic Acids Research* 15:8783-8798 (1987). Figure 10 shows the nucleotide sequences of the ribozyme formed by switch sequence 26 and strand 28 of Figure 9.

Following separation of unbound probes, which we prefer, the non-cleaved strand 28 described above is incubated with the sample under conditions, known to the art, that will promote hybridization of that strand with the second switch sequence in probes hybridized to target sequences to form the desired ribozyme. Incubation under known conditions referred to above cleaves the replicatable RNA from those probes and permits replicatable RNA to serve as a template for exponential replication by Q-beta replicase. Referring to Figure 10, cleavage occurs in strand 26 between the sixth and seventh nucleotides from the left as shown in the figure. Exponential replication and detection proceed as described in Example I.

B. Ribonuclease H Cleavage

The probe for this embodiment may be identical to the probe shown in Figure 8 and described above. In this embodiment we use commercially available *E. coli* ribonuclease H, which cleaves an RNA strand when it is hybridized to a short DNA oligonucleotide within the hybridized region. Donis-Keller, H., *Site Specific Enzymatic Cleavage of RNA*, *Nucleic Acids Res.* 7:179-192 (1979).

To take advantage of this, we synthesize a short DNA oligonucleotide 29 (Fig. 11) of about 12 nucleotides that will hybridize to the second switch sequence on both sides of the GUC sequence.

Following separation of unbound probes, which we prefer, the short DNA oligonucleotide 29 is incubated with the sample under well known conditions that will pro-

mote its hybridization (Fig. 11) to the second switch sequence. Then the ribonuclease H is added to catalyze cleavage during an incubation under known conditions. (Donis-Keller, *supra*). Exponential replication by Q-beta replicase and detection proceed as described in Example I.

Example V

This example resembles Example IV-A except that the ribozyme sequences are both part of the probe. The probe 30 (Fig. 12) is a single-stranded RNA, prepared as described in Example IV but designed to contain five sequences: a probe sequence 31 approximately 34 nucleotides in length; a first switch sequence 32 of about 17 nucleotides having the sequence of the non-cleaved strand 28 shown in Figure 9; a second switch sequence 33 of about 17 nucleotides complementary to the first sequence, as in Example I; a spacer sequence 34 of approximately 45 nucleotides extending from the 3' side of the second switch sequence, and a replicatable RNA moiety 35. The six nucleotides at the 3' side of the spacer sequence are identical to the six nucleotides at the 5' side of the second switch sequence shown in Figure 9. Thus, the region in which the spacer sequence is joined to the replicatable RNA sequence comprises the cleavable strand of a ribozyme, just as does the second switch sequence 26 in Example IV-A. In the unbound probe, the first switch sequence 32 is hybridized to the second switch sequence 33. In probes hybridized to target sequences, where the switch is open, however, the first switch sequence 32 is available to hybridize with the region in which the 3' side of the spacer sequence 34 is joined to the 5' side of the replicatable RNA sequence 35, thereby forming a ribozyme. The spacer 34 is designed to be long enough to permit that hybridization.

Exposure of the target sequence, hybridizing of probes to target sequences, and separation of unbound probes, which we prefer, is as described in Example I. Upon hybridization of a probe to a target sequence (Fig. 13), the switch sequences 32, 33 are not hybridized to each other and the ribozyme 36 is formed.

Release of the replicatable RNA, exponential replication and detection proceed as in Example IV-A.

As stated above the assays of this invention may be qualitative or quantitative. As one skilled in the art will readily appreciate, for a qualitative demonstration of a predetermined target sequence by the methods described above, biological and chemical reagents used in the assays must be used in readily determinable quantities sufficient to generate a reproducible, detectable signal in a sensitive assay.

For a quantitative determination, the amount of probe added should be substantially in excess of the highest amount of target sequence expected and incubation should be carried out under conditions such that virtually all target sequences hybridize with probes. By "virtually all" we mean a very high percentage sufficient

to impart reproducibility to the assay. In subsequent steps through signal detection, each step should be similarly quantitative. For example, destruction of unbound probes should destroy virtually all of the unbound probes for reproducibility and also to eliminate background noise. Transcription and replication steps should utilize sufficient reagents to be quantitative and should be carried out for set times for the sake of reproducibility.

Often, both qualitative and quantitative assays will include parallel assays of at least a negative control, that is, one not containing target sequence, and at times will also include a series of samples containing known amounts of target sequence, such as a geometrically increasing series.

The present invention is also directed to assay kits useful for the qualitative detection or quantitative determination of at least one specific, predetermined nucleic acid target sequence using probe molecules of this invention. Assay kits will include quantities of one or more probes which comprise at least the three essential sequences described above and at least one additional biologically active molecule, for example, a DNA strand, a ribozyme former, an RNA strand or an enzyme, useful for generating a signal indicative of switch opening. Kits may also include additional reagents such wash solutions, insolubilizing reagents and materials, amplification reagents and detection reagents. Amplification reagents may include enzymes and nucleotides. Detection reagents may include labeled nucleotides and color-forming substrates. Kits designed for research may include plasmids which will enable a researcher to prepare probes according to this invention containing any desired probe sequence.

Claims

1. A probe for the detection of a predetermined nucleic acid target sequence comprising

(a) a probe sequence of from about 20 to about 60 nucleotides, having a 5' side and a 3' side, which probe sequence is complementary to said target sequence,

(b) a first switch sequence of from about 10 to 40 nucleotides adjacent to the 5' side of the probe sequence and linked at the 5' side of the probe sequence,

(c) a second switch sequence of from about 10 to about 40 nucleotides adjacent to the 3' end of the probe sequence, said second switch sequence being complementary to said first switch sequence and being linked at the 3' side of the probe sequence,

wherein, when the probe sequence is not hybridised with said target sequence, the first switch sequence is hybridised to the second switch sequence but,

when the probe sequence is hybridised with said target sequence, thereby forming a double helix, the rigidity of said double helix prevents the first switch sequence from hybridising to the second switch sequence, and wherein said first switch sequence, said second switch sequence, or said first and second switch sequences in combination, comprise a preselected nucleic acid sequence or sequences as a required element of a signal generating system useful for selectively generating a detectable signal if the probe sequence is hybridised with said target sequence.

2. A probe according to claim 1 wherein said probe sequence, said first switch sequence, and said second switch sequence consist of a strand selected from the group consisting of entirely single-stranded DNA and entirely single-stranded RNA.
3. A probe according to claim 1 or 2 wherein said first switch sequence and said second switch sequence are immediately adjacent to said probe sequence.
4. A probe according to claim 3 wherein said first and second switch sequences are linked directly to said probe sequence by phosphodiester bonds.
5. A probe according to any one of claims 1 to 4, wherein one of said first and second switch sequences, when not hybridised to the other, comprises a biologically functional nucleic acid moiety which is a required element of a signal generating system.
6. A probe according to any one of claims 1 to 5, wherein said second switch sequence includes a promoter-complement sequence for a DNA-directed RNA polymerase.
7. A probe according to claim 6, which is a single-stranded DNA strand.
8. A probe according to claim 5, which is a single-stranded DNA strand and wherein said second switch sequence includes a primer for a DNA-directed DNA polymerase.
9. A probe according to claim 5, which is a single-stranded DNA strand and wherein said second switch sequence includes a primer for a DNA-directed RNA polymerase.
10. A probe according to any one of claims 1 to 4 additionally comprising a replicatable RNA sequence extending from said second switch sequence, said replicatable RNA sequence being able to serve as a template for exponential replication by an RNA polymerase only if cleaved from said probe.

11. A probe according to claim 10 comprising a spacer sequence between said second switch sequence and said replicatable RNA sequence and joined to said replicatable RNA sequence, wherein said first switch sequence comprises a portion of a ribozyme, and wherein the spacer sequence and the replicatable RNA sequence in the area where they are joined together comprise the remainder of said ribozyme. 5
12. A probe according to any one of claims 1 to 5, which is a single-stranded DNA strand.
13. A probe according to claim 12, wherein said first and second switch sequences, when hybridised to each other, comprise a binding site for a specific protein. 15
14. A probe according to any one of claims 1 to 5, or 10 to 11, wherein said single-stranded nucleic acid strand is an RNA strand. 20
15. A probe according to claim 14, wherein said first and second switch sequences, when hybridised to each other comprise a binding site for a specific protein. 25
16. A probe according to claim 14, wherein one of said first and second switch sequences, when not hybridised to each other, comprises a binding site for an oligodeoxyribonucleotide having a function in a signal generating system. 30
17. A probe according to claim 14, wherein one of said first and second switch sequences, when not hybridised to the other, comprises a binding site for a DNA having a function in a signal generating system. 35
18. A probe according to claim 14, wherein one of said first and second switch sequences, when not hybridised to the other, comprises a binding site for an RNA having a function in a signal generating system. 40
19. A probe according to claim 14, comprising an RNA sequence extending from and adjacent to a selected one of said first and second switch sequences, said RNA sequence and said selected switch sequence together comprising a binding site for a nucleic acid sequence necessary for signal generation. 45
20. A probe according to claim 19, wherein said nucleic acid sequence necessary for signal generation is an RNA. 50
21. A probe according to claim 20, wherein said binding site and said RNA necessary for signal generation, when hybridised, form a binding site for a protein. 55
22. A probe according to claim 20, wherein said binding site and said RNA necessary for signal generation, when hybridised, together comprise a ribozyme.
23. A probe according to claim 22, wherein said ribozyme cleaves from the probe an RNA probe fragment necessary for signal generation.
24. A probe according to claim 23, wherein said RNA probe fragment comprises a replicatable RNA.
25. A probe according to claim 19, wherein said nucleic acid sequence necessary for signal generation is an oligodeoxyribonucleotide.
26. A probe according to claim 25, wherein said binding site and said nucleic acid sequence necessary for signal generation, when hybridised, form a protein binding site.
27. A probe according to claim 26, wherein said protein binding site is a binding site for ribonuclease H.
28. A probe according to claim 14, comprising an RNA sequence extending from a selected one of said first and second switch sequences and separated therefrom by a spacer sequence of about 30-70 nucleotides, said RNA sequence and said spacer sequence forming a binding site for the other switch sequence, such that, when hybridised, said binding site and said other switch sequence together comprise a ribozyme required for signal generation.
29. A probe according to claim 28, wherein said ribozyme cleaves from the probe an RNA probe fragment necessary for signal generation.
30. A probe according to claim 29, wherein said RNA probe fragment comprises a replicatable RNA.
31. A replicatable recombinant RNA molecule containing a probe according to any one of claims 1 to 5, 10 or 11.
32. A replicatable recombinant RNA molecule according to claim 31, wherein said first switch sequence and said second switch sequence, when hybridised to each other, result in an allosteric configuration which prevents replication of said RNA.
33. A replicatable recombinant RNA molecule according to claim 31, wherein said first and second switch sequences, when hybridised to each other, comprise a binding site for a specific protein.
34. A replicatable recombinant RNA molecule according to claim 33, wherein the specific protein is a ribonuclease.
35. A replicatable recombinant RNA molecule accord-

- ing to claim 31, wherein one of said first and second switch sequences, when not hybridised to the other, comprises a binding site for a specific protein.
36. A replicatable recombinant RNA molecule according to claim 35, wherein said specific protein is a bacteriophage protein. 5
37. A recombinant replicatable RNA molecule according to claim 36, wherein said bacteriophage protein is a coat protein of bacteriophage R17. 10
38. A recombinant replicatable RNA molecule according to claim 34, wherein said ribonuclease is ribonuclease III. 15
39. A method for the detection of at least one predetermined nucleic acid target sequence in a sample containing a nucleic acid and comprising the steps of 20
- (a) adding to the sample probes according to anyone of claims 1 to 4, 31, 33, 34 and 38,
 - (b) causing probes to hybridise specifically with said target sequence,
 - (c) destroying the ability of probes which did not hybridise specifically with said target sequence in step (b) to generate a signal,
 - (d) generating a signal from probes which did hybridise specifically with said target sequence in step (b), and
 - (e) detecting the signal. 25
40. A method for the detection of at least one predetermined nucleic acid target sequence in a sample containing a nucleic acid comprising the steps of 35
- (a) adding to the sample probes according to any one of claims 1 to 7, 9 to 11, 14, 18 to 20, 22 to 24 and 28 to 32,
 - (b) causing probes to hybridise specifically with said target sequence, 40
 - (c) exponentially replicating a replicatable RNA indicative of the presence of probes which hybridised specifically with said target sequence in step (b), and 45
 - (d) detecting the replication products.
41. A method according to claim 40, wherein said probe is a first DNA strand, comprising the additional step of hybridising to the second switch sequence of said probe a second DNA strand which is a template for the transcription of a replicatable RNA prior to step (c). 50
42. A method for the detection of at least one predetermined nucleic acid target sequence in a sample containing a nucleic acid comprising the steps of 55
- (a) adding to the sample probes according to any one of claims 10, 11, 14, or 16 to 30,
 - (b) causing probes to hybridise specifically with said target sequence,
 - (c) cleaving said RNA-signal generator segment from probes which hybridised with target sequences in step (b),
 - (d) generating an amplified signal using said RNA-signal generator, and
 - (e) detecting said amplified signal.
43. A test kit for performing an assay according to any one of claims 39 to 42, comprising a quantity of at least one of said probes sufficient to permit appropriate detection of said predetermined nucleic acid target sequence and at least one additional biological active molecule required for generating a signal indicative of switch opening, and optionally additional reagents such as wash solutions, insolubilising reagents, amplification reagents and detection reagents.
44. A test kit according to claim 43 additionally comprising a quantity of an appropriate RNA replicase.

Patentansprüche

1. Sonde zum Nachweis einer vorherbestimmten Nucleinsäurezielsequenz, die umfaßt

- (a) eine Sondensequenz von etwa 20 bis etwa 60 Nucleotiden mit einer 5'-Seite und einer 3'-Seite, die zu der Zielsequenz komplementär ist,
- (b) eine erste Umschaltsequenz von etwa 10 bis etwa 40 Nucleotiden, die der 5'-Seite der Sondensequenz benachbart ist und an die 5'-Seite der Sondensequenz gebunden ist;
- (c) eine zweite Umschaltsequenz von etwa 10 bis etwa 40 Nucleotiden, die dem 3'-Ende der Sondensequenz benachbart ist, wobei die zweite Umschaltsequenz zu der ersten Umschaltsequenz komplementär ist und an der 3'-Seite der Sondensequenz gebunden ist,

wobei im Falle einer Nicht-Hybridisierung der Sondensequenz mit der Zielsequenz die erste Umschaltsequenz mit der zweiten Umschaltsequenz hybridisiert ist, aber im Falle einer Hybridisierung der Sondensequenz mit der Zielsequenz unter Bildung einer Doppelhelix die Starrheit der Doppelhelix verhindert, daß die erste Umschaltsequenz mit der zweiten Umschaltsequenz hybridisiert, und wobei die erste Umschaltsequenz, die zweite Umschaltsequenz oder die erste und zweite Umschaltsequenz in Kombination eine im voraus ausgewählte Nucleinsäuresequenz oder -sequen-

- zen als erforderliches Element eines signalerzeugenden Systems umfassen, das zur selektiven Erzeugung eines nachweisbaren Signals wertvoll ist, wenn die Sondensequenz mit der Zielsequenz hybridisiert.
2. Sonde nach Anspruch 1, wobei die Sondensequenz, die erste Umschaltsequenz und die zweite Umschaltsequenz aus einem Strang bestehen, der vollständig einzelsträngige DNA oder vollständig einzelsträngige RNA ist.
 3. Sonde nach Anspruch 1 oder 2, wobei die erste Umschaltsequenz und die zweite Umschaltsequenz zu der Sondensequenz direkt benachbart sind.
 4. Sonde nach Anspruch 3, wobei die erste und zweite Umschaltsequenz direkt mit der Sondensequenz über Phosphodiesterbindungen verknüpft sind.
 5. Sonde nach einem der Ansprüche 1 bis 4, wobei eine der ersten und zweiten Umschaltsequenzen im Falle einer Nichthybridisierung miteinander eine biologisch funktionelle Nucleinsäureeinheit umfaßt, die ein erforderliches Element eines signalerzeugenden Systems ist.
 6. Sonde nach einem der Ansprüche 1 bis 5, wobei die zweite Umschaltsequenz eine zu einem Promotor komplementäre Sequenz für eine DNA-gerichtete RNA-Polymerase einschließt.
 7. Sonde nach Anspruch 6, die ein einzelsträngiger DNA-Strang ist.
 8. Sonde nach Anspruch 5, die ein einzelsträngiger DNA-Strang ist und bei der die zweite Umschaltsequenz einen Primer für eine DNA-gerichtete DNA-Polymerase einschließt.
 9. Sonde nach Anspruch 5, die ein einzelsträngiger DNA-Strang ist und bei der die zweite Umschaltsequenz einen Primer für eine DNA-gerichtete RNA-Polymerase einschließt.
 10. Sonde nach einem der Ansprüche 1 bis 4, zusätzlich umfassend eine von der zweiten Umschaltsequenz sich erstreckende replizierbare RNA-Sequenz, die nur dann als Matrize für eine exponentielle Replikation durch eine RNA-Polymerase dienen kann, wenn sie von der Sonde abgespalten ist.
 11. Sonde nach Anspruch 10, umfassend eine Spacersequenz zwischen der zweiten Umschaltsequenz und der replizierbaren RNA-Sequenz, wobei die Spacersequenz an die replizierbare RNA-Sequenz gebunden ist, wobei die erste Umschaltsequenz einen Teil eines Ribozyms umfaßt und die Spacersequenz und die replizierbare RNA-Sequenz in dem Bereich, in dem sie miteinander verbunden sind, den Rest des Ribozyms umfassen.
 12. Sonde nach einem der Ansprüche 1 bis 5, die ein einzelsträngiger DNA-Strang ist.
 13. Sonde nach Anspruch 12, bei der die erste und zweite Umschaltsequenz im Falle einer Hybridisierung miteinander eine Bindungsstelle für ein spezifisches Protein umfassen.
 14. Sonde nach einem der Ansprüche 1 bis 5 oder 10 bis 11, bei der der einzelsträngige Nucleinsäurestrang ein RNA-Strang ist.
 15. Sonde nach Anspruch 14, bei der die erste und zweite Umschaltsequenz im Falle einer Hybridisierung miteinander eine Bindungsstelle für ein spezifisches Protein umfassen.
 16. Sonde nach Anspruch 14, bei der die erste oder zweite Umschaltsequenz im Falle einer Nicht-Hybridisierung miteinander eine Bindungsstelle für ein Oligodesoxyribonucleotid mit einer Funktion in einem signalerzeugenden System umfassen.
 17. Sonde nach Anspruch 14, bei der die erste oder zweite Umschaltsequenz im Falle einer Nicht-Hybridisierung miteinander eine Bindungsstelle für eine DNA mit einer Funktion in einem signalerzeugenden System umfassen.
 18. Sonde nach Anspruch 14, bei der eine der ersten und zweiten Umschaltsequenzen im Falle einer Nicht-Hybridisierung miteinander eine Bindungsstelle für eine RNA mit einer Funktion in einem signalerzeugenden System umfaßt.
 19. Sonde nach Anspruch 14, umfassend eine RNA-Sequenz, die sich von einer Sequenz, die die erste oder zweite Umschaltsequenz ist, erstreckt und zu dieser benachbart ist, wobei die RNA-Sequenz und die ausgewählte Umschaltsequenz zusammen eine Bindungsstelle für eine zur Signalerzeugung notwendigen Nucleinsäuresequenz umfassen.
 20. Sonde nach Anspruch 19, bei der die zur Signalerzeugung notwendige Nucleinsäuresequenz eine RNA ist.
 21. Sonde nach Anspruch 20, bei der die Bindungsstelle und die zur Signalerzeugung notwendige RNA im Falle einer Hybridisierung eine Bindungsstelle für ein Protein bilden.
 22. Sonde nach Anspruch 20, bei der die Bindungsstelle

- und die zur Signalerzeugung notwendige RNA im Falle einer Hybridisierung zusammen ein Ribozym umfassen.
23. Sonde nach Anspruch 22, bei der das Ribozym von der Sonde ein zur Signalerzeugung notwendiges RNA-Sondenfragment abspaltet. 5
24. Sonde nach Anspruch 23, bei der das RNA-Sondenfragment eine replizierbare RNA umfaßt. 10
25. Sonde nach Anspruch 19, bei der die zur Signalerzeugung notwendige Nucleinsäuresequenz ein Oligodesoxyribonucleotid ist. 15
26. Sonde nach Anspruch 25, bei der die Bindungsstelle und die zur Signalerzeugung notwendige Nucleinsäuresequenz im Falle einer Hybridisierung eine Proteinbindungsstelle bilden. 20
27. Sonde nach Anspruch 26, bei der die Proteinbindungsstelle eine Bindungsstelle für Ribonuclease H ist.
28. Sonde nach Anspruch 14, umfassend eine RNA-Sequenz, die sich von einer Sequenz erstreckt, die die erste oder zweite Umschaltsequenz ist und davon durch eine Spacersequenz von etwa 30 bis 70 Nucleotiden getrennt ist, wobei die RNA-Sequenz und die Spacersequenz eine Bindungsstelle für die andere Umschaltsequenz in der Form bilden, daß im Falle einer Hybridisierung die Bindungsstelle und die andere Umschaltsequenz zusammen ein zur Signalerzeugung erforderliches Ribozym umfassen. 25 30
29. Sonde nach Anspruch 28, bei der das Ribozym von der Sonde ein zur Signalerzeugung notwendiges RNA-Sondenfragment abspaltet. 35
30. Sonde nach Anspruch 29, bei der das RNA-Sondenfragment eine replizierbare RNA umfaßt. 40
31. Replizierbares rekombinantes RNA-Molekül, das eine Sonde nach einem der Ansprüche 1 bis 5, 10 oder 11 enthält. 45
32. Replizierbares rekombinantes RNA-Molekül nach Anspruch 31, bei dem die erste Umschaltsequenz und die zweite Umschaltsequenz im Falle einer Hybridisierung miteinander eine allosterische Konfiguration ergeben, die die Replikation der RNA verhindert. 50
33. Replizierbares rekombinantes RNA-Molekül nach Anspruch 31, bei dem die erste und zweite Umschaltsequenz im Falle einer Hybridisierung miteinander eine Bindungsstelle für ein spezifisches Protein umfassen. 55
34. Replizierbares rekombinantes RNA-Molekül nach Anspruch 33, bei dem das spezifische Protein eine Ribonuclease ist.
35. Replizierbares rekombinantes RNA-Molekül nach Anspruch 31, bei dem eine der ersten und zweiten Umschaltsequenzen im Falle einer Nicht-Hybridisierung miteinander eine Bindungsstelle für ein spezifisches Protein umfaßt.
36. Replizierbares rekombinantes RNA-Molekül nach Anspruch 35, bei dem das spezifische Protein ein Bakteriophagenprotein ist.
37. Replizierbares rekombinantes RNA-Molekül nach Anspruch 36, bei dem das Bakteriophagenprotein ein Hüllprotein des Bakteriophagen R17 ist.
38. Replizierbares rekombinantes RNA-Molekül nach Anspruch 34, bei dem die Ribonuclease Ribonuclease III ist.
39. Verfahren zum Nachweis mindestens einer vorherbestimmten Nucleinsäure-Zielsequenz in einer Probe, die eine Nucleinsäure enthält, umfassend die Schritte:
- Zugabe von Sonden nach einem der Ansprüche 1 bis 4, 31, 33, 34 oder 38 zu der Probe,
 - Durchführung einer spezifischen Hybridisierung der Sonden mit der Zielsequenz,
 - Zerstörung der Fähigkeit der Sonden, die nicht spezifisch mit der Zielsequenz in Schritt (b) hybridisierten, ein Signal zu erzeugen,
 - Erzeugung eines Signals von Sonden, die spezifisch mit der Zielsequenz in Schritt (b) hybridisierten, und
 - Nachweis des Signals.
40. Verfahren zum Nachweis mindestens einer vorherbestimmten Nucleinsäure-Zielsequenz in einer Probe, die eine Nucleinsäure enthält, umfassend die Schritte:
- Zugabe von Sonden nach einem der Ansprüche 1 bis 7, 9 bis 11, 14, 18 bis 20, 22 bis 24 oder 28 bis 32 zu der Probe,
 - Durchführung einer spezifischen Hybridisierung der Sonden mit der Zielsequenz,
 - exponentielle Replikation einer replizierbaren RNA, die die Gegenwart von Sonden anzeigt, die spezifisch mit der Zielsequenz in Schritt (b) hybridisierten, und
 - Nachweis der Replikationsprodukte.

41. Verfahren nach Anspruch 40, wobei die Sonde ein erster DNA-Strang ist, umfassend den zusätzlichen Schritt der Hybridisierung eines zweiten DNA-Stranges mit der zweiten Umschaltsequenz der Sonde, wobei der zweite DNA-Strang eine Matrize für die Transkription einer replizierbaren RNA vor Schritt (c) ist. 5
42. Verfahren zum Nachweis mindestens einer vorherbestimmten Nucleinsäure-Zielsequenz in einer Probe, die eine Nucleinsäure enthält, umfassend die Schritte: 10
- (a) Zugabe von Sonden nach einem der Ansprüche 10, 11, 14 oder 16 bis 30 zu der Probe, 15
 - (b) Durchführung einer spezifischen Hybridisierung der Sonden mit der Zielsequenz,
 - (c) Spaltung des RNA-signal erzeugenden Segments von den Sonden, die mit Zielsequenzen in Schritt (b) hybridisierten, 20
 - (d) Erzeugung eines verstärkten Signals unter Verwendung des RNA-signal erzeugenden Segments, und
 - (e) Nachweis des verstärkten Signals. 25
43. Testkit zur Durchführung eines Tests nach einem der Ansprüche 39 bis 42, umfassend eine ausreichende Menge von mindestens einer der Sonden, die einen geeigneten Nachweis der vorherbestimmten Nucleinsäure-Zielsequenz erlaubt, und mindestens ein zusätzliches biologisch aktives Molekül, das zur Erzeugung eines die Öffnung der Umschaltsequenz anzeigenden Signals erforderlich ist, und gegebenenfalls zusätzliche Reagenzien, wie Waschlösungen, Insolubilisierungsreagenzien, Amplifizierungsreagenzien und Nachweisreagenzien. 30
44. Testkit nach Anspruch 43, der zusätzlich eine Menge einer geeigneten RNA-Replicase umfaßt. 40

Revendications

1. Une sonde pour la détection d'une séquence cible prédéterminée d'acide nucléique, comportant: 45
- (a) une séquence sonde d'environ 20 à environ 60 nucléotides, ayant un côté 5' et un côté 3', cette séquence sonde étant complémentaire de ladite séquence cible, 50
 - (b) une première séquence commutatrice d'environ 10 à environ 40 nucléotides, adjacente au côté 5' de la séquence sonde et liée au côté 5' de la séquence sonde, 55
 - (c) une seconde séquence commutatrice d'environ 10 à environ 40 nucléotides, adjacente à l'extrémité 3' de la séquence sonde,

ladite seconde séquence commutatrice étant complémentaire de ladite première séquence commutatrice et étant liée au côté 3' de la séquence sonde,

dans laquelle, lorsque la séquence sonde n'est pas hybridée avec ladite séquence cible, la première séquence commutatrice est hybridée à la seconde séquence commutatrice mais, lorsque la séquence sonde est hybridée avec ladite séquence cible, en formant ainsi une double hélice, la rigidité de ladite double hélice évite que la première séquence commutatrice ne s'hybride à la seconde séquence commutatrice, et dans laquelle ladite première séquence commutatrice, ladite seconde séquence commutatrice ou lesdites première et seconde séquences commutatrices en combinaison comportent une séquence préchoisie ou des séquences préchoisies d'acide nucléique en tant qu'éléments nécessaires d'un système de production de signaux, utilisable pour produire, de façon sélective, un signal détectable si la séquence sonde est hybridée à ladite séquence cible.

2. Une séquence selon la revendication 1, dans laquelle ladite séquence sonde, ladite première séquence commutatrice et ladite seconde séquence commutatrice sont constituées d'un brin choisi dans le groupe constitué d'un ADN entièrement à brin simple et d'un ARN entièrement à brin simple.
3. Une sonde selon la revendication 1 ou 2, dans laquelle ladite première séquence commutatrice et ladite seconde séquence commutatrice sont immédiatement adjacentes à ladite séquence sonde.
4. Une sonde selon la revendication 3, dans laquelle lesdites première et seconde séquences commutatrices sont liées directement à ladite séquence sonde par des liaisons phosphodiester.
5. Une sonde selon l'une quelconque des revendications 1 à 4, dans laquelle une desdites première et seconde séquences commutatrices, lorsqu'elles ne sont pas hybridées l'une à l'autre, comporte une partie acide nucléique, fonctionnelle du point de vue biologique, qui est un élément nécessaire d'un système de production de signaux.
6. Une sonde selon l'une quelconque des revendications 1 à 5, dans laquelle ladite seconde séquence commutatrice comporte une séquence promoteur complémentaire pour une polymérase ARN dirigée vers l'ADN.
7. Une sonde selon la revendication 6, qui est un brin d'ADN à simple brin.

8. Une sonde selon la revendication 5, qui est un brin d'ADN à simple brin et dans laquelle ladite seconde séquence commutatrice comporte une amorce pour une polymérase d'ADN dirigée vers l'ADN. 5
9. Une sonde selon la revendication 5, qui est un brin d'ADN à simple brin et dans laquelle ladite seconde séquence commutatrice comporte une amorce pour une polymérase d'ARN dirigée vers l'ADN. 10
10. Une sonde selon l'une quelconque des revendications 1 à 4, comportant en outre une séquence d'ARN, susceptible d'être répliquée, s'étendant de ladite seconde séquence commutatrice, ladite séquence d'ARN susceptible d'être répliquée, étant apte à servir de matrice pour une réplication exponentielle au moyen d'une polymérase d'ARN, uniquement si elle est clivée de ladite sonde. 15
11. Une sonde selon la revendication 10, comportant une séquence entretoise entre ladite seconde séquence commutatrice et ladite séquence d'ARN susceptible d'être répliquée, et reliée à ladite séquence d'ARN susceptible d'être répliquée, dans laquelle ladite première séquence commutatrice comporte une partie d'un ribozyme et dans laquelle la séquence entretoise et la séquence d'ARN susceptible d'être répliquée dans la zone où elles sont reliées l'une à l'autre, comporte le reste dudit ribozyme. 20
12. Une sonde selon l'une quelconque des revendications 1 à 5, qui est un brin d'ADN à simple brin. 25
13. Une sonde selon la revendication 12, dans laquelle lesdites première et seconde séquences commutatrices, lorsqu'elles sont hybridées l'une à l'autre, comportent un site de liaison pour une protéine spécifique. 30
14. Une sonde selon l'une quelconque des revendications 1 à 5, ou 10 à 11, dans laquelle ledit brin d'acide nucléique à simple brin est un brin d'ARN. 35
15. Une sonde selon la revendication 14, dans laquelle lesdites première et seconde séquences commutatrices, lorsqu'elles sont hybridées l'une à l'autre, comportent un site de liaison pour une protéine spécifique. 40
16. Une sonde selon la revendication 14, dans laquelle une desdites première et seconde séquences commutatrices, lorsqu'elles ne sont pas hybridées l'une à l'autre, comportent un site de liaison pour un oligodésoxyribonucléotide qui a une fonction dans un système produisant des signaux. 45
17. Une sonde selon la revendication 14, dans laquelle une desdites première et seconde séquences commutatrices, lorsqu'elles ne sont pas hybridées l'une à l'autre, comportent un site de liaison pour un ADN ayant une fonction dans un système produisant des signaux. 50
18. Une sonde selon la revendication 14, dans laquelle une desdites première et seconde séquences commutatrices, lorsqu'elles ne sont pas hybridées l'une à l'autre, comportent un site de liaison pour un ARN ayant une fonction dans un système produisant des signaux. 55
19. Une sonde selon la revendication 14, comportant une séquence d'ARN s'étendant de et adjacente à une séquence choisie parmi lesdites première et seconde séquences commutatrices, cette séquence d'ARN et ladite séquence commutatrice choisie comportant ensemble un site de liaison pour une séquence d'acide nucléique nécessaire pour la production des signaux.
20. Une sonde selon la revendication 19, dans laquelle ladite séquence d'acide nucléique nécessaire pour la production des signaux est un ARN.
21. Une sonde selon la revendication 20, dans laquelle ledit site de liaison et ledit ARN nécessaires pour la production des signaux, lorsqu'ils sont hybridés, forment un site de liaison pour une protéine.
22. Une sonde selon la revendication 20, dans laquelle ledit site de liaison et ladite ARN nécessaires pour la production des signaux, lorsqu'ils sont hybridés, comportent ensemble un ribozyme.
23. Une sonde selon la revendication 22, dans laquelle ledit ribozyme clive à partir de la sonde un fragment de sonde d'ARN nécessaire pour la production des signaux.
24. Une sonde selon la revendication 23, dans laquelle le fragment de sonde ARN comporte un ARN susceptible d'être répliqué.
25. Une sonde selon la revendication 19, dans laquelle ladite séquence d'acide nucléique nécessaire pour la production des signaux est un oligodésoxyribonucléotide.
26. Une sonde selon la revendication 25, dans laquelle ledit site de liaison et ladite séquence d'acide nucléique nécessaires pour la production des signaux, lorsqu'ils sont hybridés forment un site de liaison pour protéine.
27. Une sonde selon la revendication 26, dans laquelle ledit site de liaison pour protéine est un site de

liaison pour la ribonucléase H.

28. Une sonde selon la revendication 14, comportant une séquence d'ARN s'étendant d'une séquence choisie parmi lesdites première et seconde séquences commutatrices et séparée de celle-ci par une séquence entretoise d'environ 30 à 70 nucléotides, cette séquence d'ARN et ladite séquence entretoise formant un site de liaison pour l'autre séquence commutatrice, de sorte que, lorsqu'ils sont hybridés, ledit site de liaison et l'autre séquence commutatrice comportent ensemble un ribozyme nécessaire pour la production de signaux.
29. Une sonde selon la revendication 28, dans laquelle ledit ribozyme clive à partir de la sonde un fragment de sonde ARN, nécessaire pour la production de signaux.
30. Une sonde selon la revendication 29, dans laquelle ledit fragment de sonde ARN comporte un ARN susceptible d'être répliqué.
31. Une molécule d'ARN recombinante, susceptible d'être répliquée, et qui renferme une sonde selon l'une quelconque des revendications 1 à 5, 10 ou 11.
32. Une molécule d'ARN recombinante, susceptible d'être répliquée, selon la revendication 31, dans laquelle ladite première séquence commutatrice et ladite seconde séquence commutatrice, lorsqu'elles sont hybridées l'une à l'autre, se traduisent par une configuration allostérique qui évite la réplication dudit ARN.
33. Une molécule d'ARN recombinante, susceptible d'être répliquée, selon la revendication 31, dans laquelle lesdites première et seconde séquences commutatrices, lorsqu'elles sont hybridées l'une à l'autre, comportent un site de liaison pour une protéine spécifique.
34. Une molécule d'ARN recombinante, susceptible d'être répliquée, selon la revendication 33, dans laquelle la protéine spécifique est une ribonucléase.
35. Une molécule d'ARN recombinante, susceptible d'être répliquée, selon la revendication 31, dans laquelle une desdites première et seconde séquences commutatrices, lorsqu'elles ne sont pas hybridées l'une à l'autre, comportent un site de liaison pour une protéine spécifique.
36. Une molécule d'ARN recombinante, selon la revendication 35, dans laquelle ladite protéine spécifique est une protéine bactériophage.
37. Une molécule d'ARN recombinante, susceptible
- d'être répliquée, selon la revendication 36, dans laquelle ladite protéine bactériophage est une protéine de revêtement d'un bactériophage R17.
38. Une molécule d'ARN recombinante, susceptible d'être répliquée, selon la revendication 34, dans laquelle ladite ribonucléase est une ribonucléase III.
39. Un procédé pour la détection d'au moins une séquence cible prédéterminée d'acide nucléique dans un échantillon renfermant un acide nucléique et comportant les étapes de:
- ajouter à l'échantillon des sondes, selon l'une quelconque des revendications 1 à 4, 31, 33, 34 et 38,
 - provoquer l'hybridation spécifique des sondes avec ladite séquence cible,
 - détruire l'aptitude des sondes qui hybrident pas de façon spécifique avec ladite séquence cible dans l'étape (b), à produire un signal,
 - produire un signal à partir des sondes qui ne s'hybrident pas de façon spécifique avec ladite séquence cible au stade (b), et
 - détecter le signal.
40. Un procédé pour la détection d'au moins une séquence cible prédéterminée d'acide nucléique dans un échantillon renfermant un acide nucléique, comportant les étapes de:
- ajouter aux sondes d'échantillon, selon l'une quelconque des revendications 1 à 7, 9 à 11, 14, 18 à 20, 22 à 24 et 28 à 32,
 - provoquer, de façon spécifique, l'hybridation des sondes avec ladite séquence cible,
 - répliquer de façon exponentielle un ARN, susceptible d'être répliqué, indicateur de la présence de sonde qui s'hybride, de façon spécifique avec ladite séquence cible dans l'étape (b), et
 - détecter les produits de réplication.
41. Un procédé selon la revendication 40, dans lequel ladite sonde est un premier fragment d'ADN, sans lequel l'étape supplémentaire d'hybridation à la seconde séquence commutatrice de ladite sonde d'un second brin d'ADN qui est une matrice pour la transcription d'un ARN susceptible d'être répliqué avant l'étape (c).
42. Un procédé pour la détection d'au moins une séquence cible prédéterminée d'acide nucléique dans un échantillon qui renferme un acide nucléique, comportant les étapes de:
- ajouter à l'échantillon des sondes, selon l'une quelconque des revendications 10,11,14

- ou 16 à 30,
- (b) provoquer une hybridation spécifique des sondes à ladite séquence cible,
- (c) cliver ledit segment producteur de signaux d'ARN à partir des sondes qui s'hybrident avec les séquences cibles au stade (b),
- (d) produire un signal amplifié en utilisant ledit producteur de signaux d'ARN, et
- (e) détecter ledit signal amplifié.
43. Un nécessaire pour essai destiné à réaliser un essai selon l'une quelconque des revendications 39 à 42, comportant une quantité d'au moins une desdites sondes, suffisante pour permettre une détection appropriée de ladite séquence cible prédéterminée d'acide nucléique et au moins une molécule supplémentaire biologiquement active, nécessaire pour produire un signal indiquant l'ouverture de commutation et facultativement des réactifs supplémentaires, tels que des solutions de lavage, des réactifs insolubilisants, des réactifs d'amplification et des réactifs détecteurs.
44. Un nécessaire pour essai selon la revendication 43, comportant en outre une quantité d'une réplicase d'ARN appropriée.

5

10

15

20

25

30

35

40

45

50

55

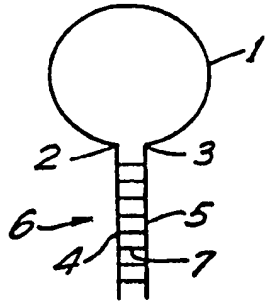


FIG. 1

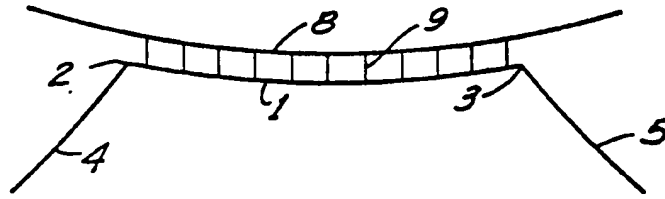


FIG. 2

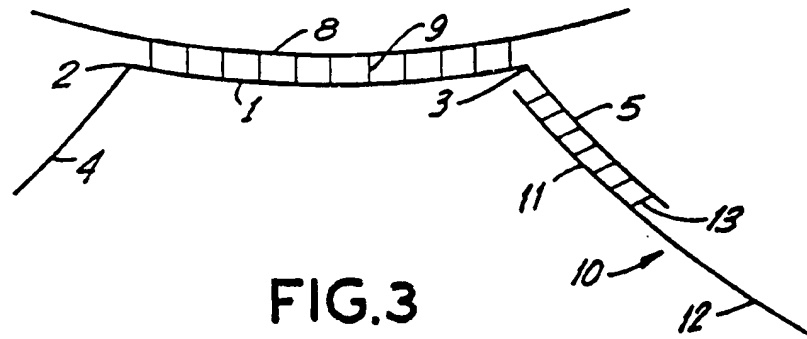


FIG. 3

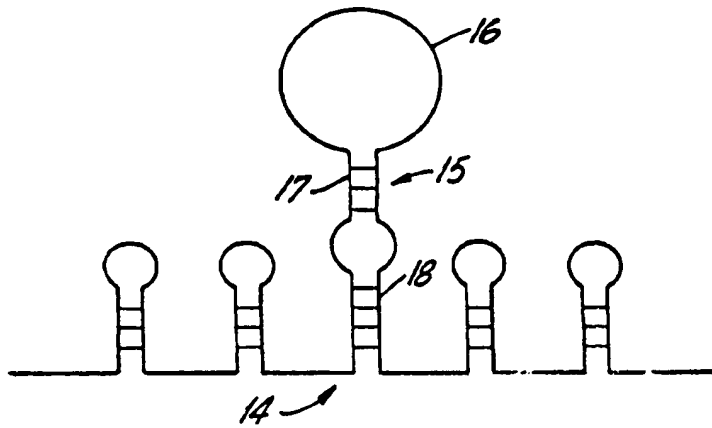


FIG. 4

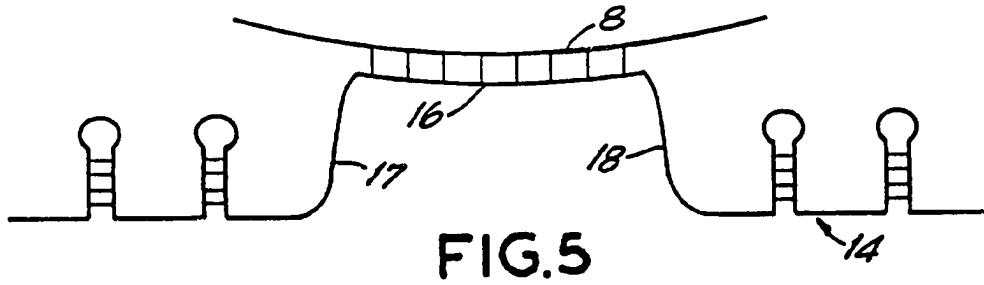


FIG. 5

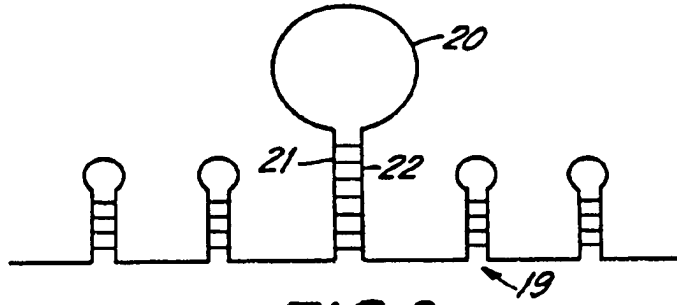


FIG. 6

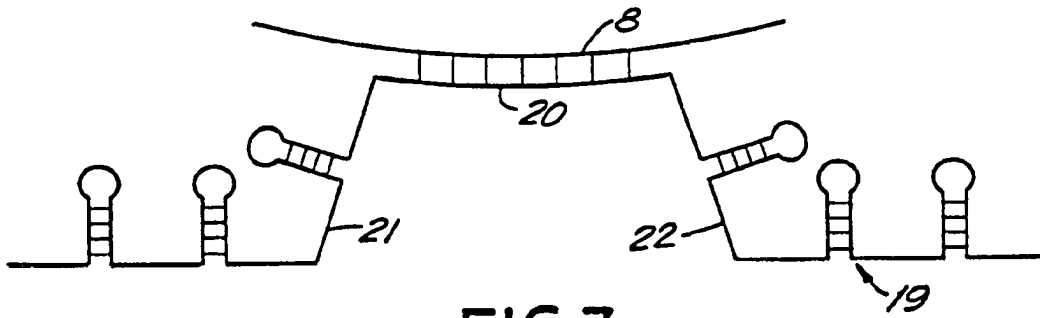


FIG. 7

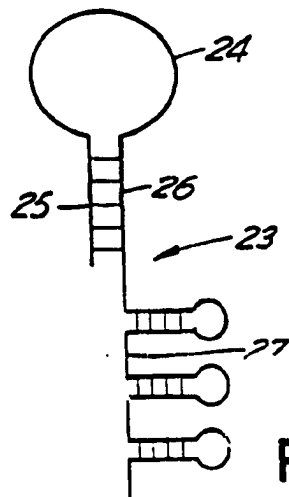
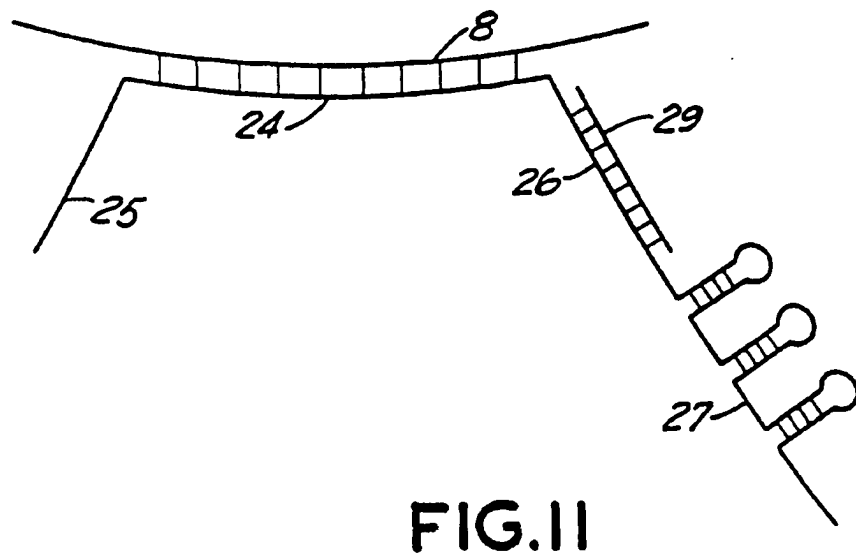
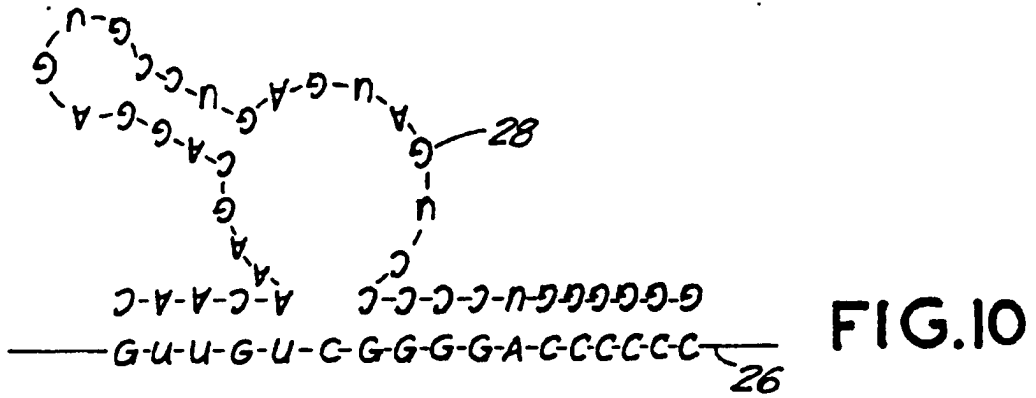
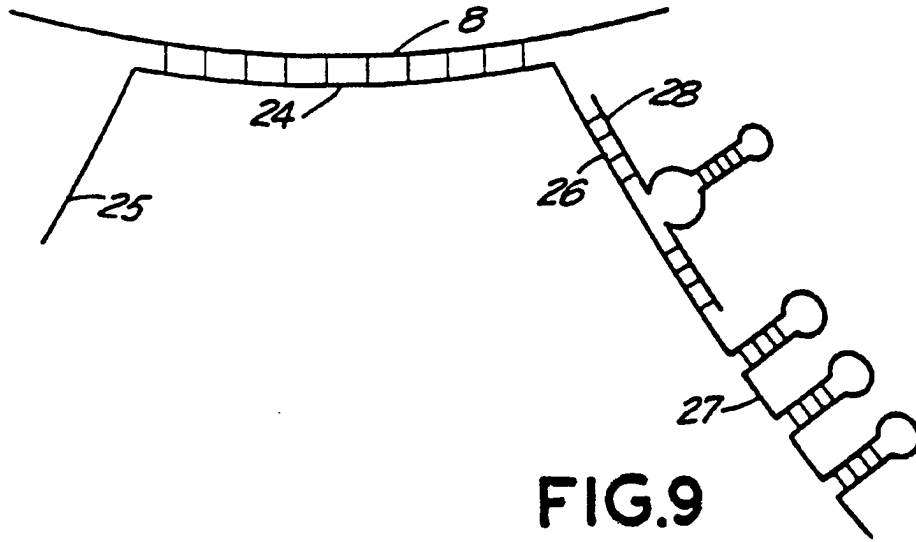


FIG. 8



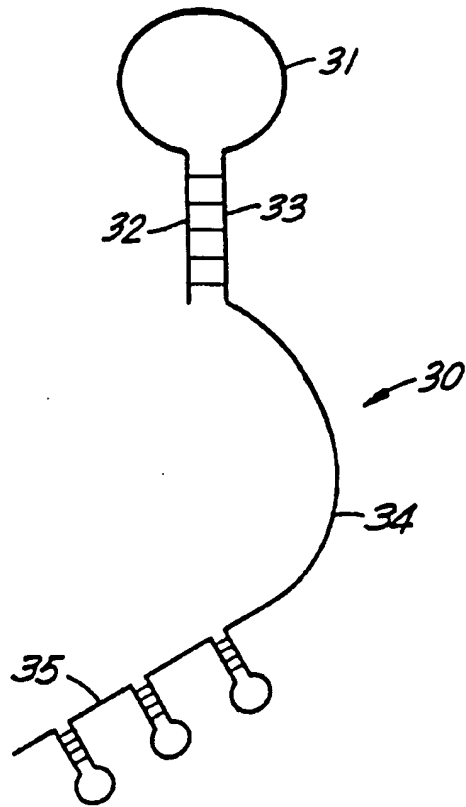


FIG. 12

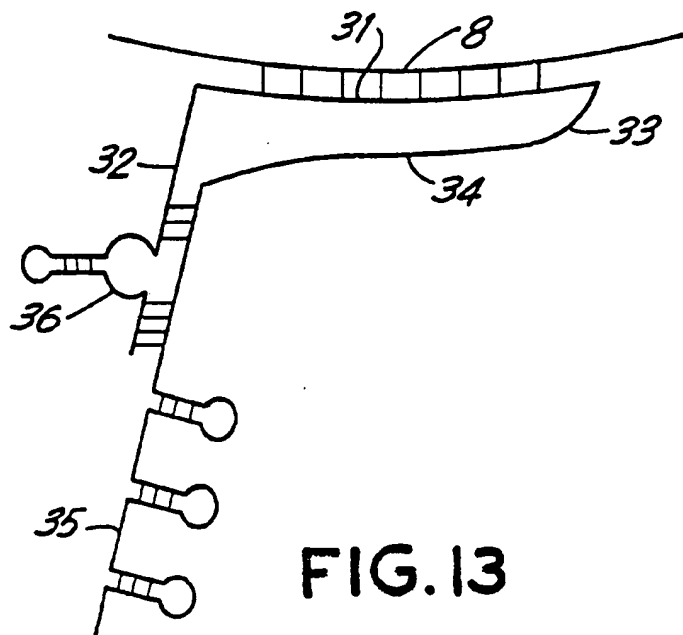


FIG. 13